

Berker Integro Design Flow


A contemporary solution for every installation environment – straight-line contours and angular corners, coupled with arched surface geometry. In this manner Design Flow from Berker Integro ensures a harmonious transition to the operating section for any installation surface. The ideal product for virtually any interior style.



02

Page

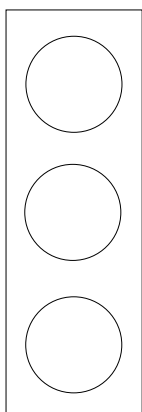
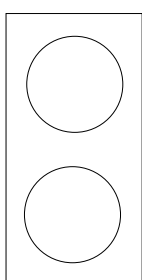
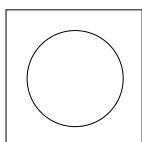
Frames	74
Surface-mounted housing	79

 Marked items are suitable for splash-protected IP44 installation when used in conjunction with the corresponding sealing set.

Product examples

Berker Integro

Design Flow



Dimensions

Frame 1-3gang (W x H)

1-gang: 59.5 x 59.5 mm

2-gang: 59.5 x 119 mm

3-gang: 59.5 x 178.5 mm





Frames/Covers/ Central inserts

Plastic, glossy

Grey	similar to RAL 7038
Polar white	similar to RAL 9010
Black	similar to RAL 9005
Red	similar to RAL 3003
Green	similar to RAL 6032
Orange	similar to RAL 2008

Plastic, lacquered

Chrome matt	similar to RAL 9006
Stainless steel	similar to RAL 9022

Plastic, matt

Brown	similar to RAL 8017
Anthracite	similar to RAL 7021

plastic, galvanised

chrome glossy	similar to RAL 9023
Chrome matt	similar to RAL 9006
gold glossy	



Frames



Frame 1 gang

▶ 214

Design	Order no.	PU
brown matt	8 1827 25 01	200
anthracite matt	8 1827 25 05	200
grey glossy	8 1827 25 07	200
polar white glossy	8 1827 25 09	200
brown matt	9 1827 25 01	10
anthracite matt	9 1827 25 05	10
grey glossy	9 1827 25 07	10
polar white glossy	9 1827 25 09	10
black glossy	9 1827 25 10	10
chrome glossy, galvanised	9 1827 25 18	10
chrome matt, galvanised	9 1827 25 28	10
chrome matt, lacquered	9 1827 25 58	10
Stainless steel matt, lacquered	9 1827 25 24	10
gold glossy, galvanised	9 1827 25 38	10
red glossy	9 1827 25 76	10
green glossy	9 1827 25 70	10
orange glossy	9 1827 25 74	10



Frame 2 gang

▶ 214

– for vertical and horizontal mounting

Design	Order no.	PU
brown matt	8 1826 25 11	100
anthracite matt	8 1826 25 15	100
grey glossy	8 1826 25 07	100
polar white glossy	8 1826 25 19	100
red glossy	8 1826 25 76	100
brown matt	9 1826 25 11	2
anthracite matt	9 1826 25 15	2
grey glossy	9 1826 25 07	2
polar white glossy	9 1826 25 19	2
black glossy	9 1826 25 10	2
chrome glossy, galvanised	9 1826 25 18	2
chrome matt, galvanised	9 1826 25 28	2
chrome matt, lacquered	9 1826 25 58	2
Stainless steel matt, lacquered	9 1826 25 24	2
gold glossy, galvanised	9 1826 25 38	2
red glossy	9 1826 25 76	2
green glossy	9 1826 25 70	2
orange glossy	9 1826 25 74	2



Frame 3gang

– for vertical and horizontal mounting

▶ 214

Design	Order no.	PU
anthracite matt	8 1819 25 15	200
brown matt	9 1819 25 11	2
anthracite matt	9 1819 25 15	2
grey glossy	9 1819 25 07	2
polar white glossy	9 1819 25 19	2
black glossy	9 1819 25 10	2
chrome matt, lacquered	9 1819 25 68	2
chrome glossy, galvanised	9 1819 25 18	2
Stainless steel matt, lacquered	9 1819 25 24	2
red glossy	9 1819 25 76	2
green glossy	9 1819 25 70	2
orange glossy	9 1819 25 74	2



Frame

- labelling field



Labelling field height arranged for P-touch strips 6 mm.

Design	Order no.	PU
anthracite matt	9 1803 25 05	10
grey glossy	9 1803 25 07	10
polar white glossy	9 1803 25 09	10
chrome matt, lacquered	9 1803 25 68	10
red glossy	9 1803 25 76	10
green glossy	9 1803 25 90	10
orange glossy	9 1803 25 94	10

Frame with lens



Frame

- lens upper right / Lens down left

– for socket with indicator LED



Design	Order no.	PU
anthracite matt	9 1987 25 05	10
grey glossy	9 1987 25 06	10
polar white glossy	9 1987 25 02	10
red glossy	9 1987 25 76	10
green glossy	9 1987 25 03	10
orange glossy	9 1987 25 04	10



Frame

- labelling field
- lens upper left / Lens down right

– for socket with indicator LED



Labelling field height arranged for P-touch strips 6 mm.

Design	Order no.	PU
anthracite matt	8 1970 25 05	200
grey glossy	8 1970 25 06	200
polar white glossy	8 1970 25 02	200
red glossy	8 1970 25 76	200
green glossy	8 1970 25 03	200
orange glossy	8 1970 25 04	200



Frame

- labelling field
- lens upper right / Lens down left



- for socket with indicator LED

Labelling field height arranged for P-touch strips 6 mm.

Design	Order no.	PU
anthracite matt	8 1977 25 05	200
grey glossy	8 1977 25 06	200
polar white glossy	8 1977 25 02	200
red glossy	8 1977 25 76	200
green glossy	8 1977 25 03	200
orange glossy	8 1977 25 04	200

Frames with hinged cover



Frame with hinged cover

- for covering of socket outlets

▶ 214

Design	Order no.	PU
brown matt	8 1828 25 01	200
anthracite matt	8 1828 25 05	200
grey glossy	8 1828 25 07	200
polar white glossy	8 1828 25 09	200
brown matt	9 1828 25 01	10
anthracite matt	9 1828 25 05	10
grey glossy	9 1828 25 07	10
polar white glossy	9 1828 25 09	10
black glossy	9 1828 25 10	10
chrome glossy, galvanised	9 1828 25 18	10
chrome matt, galvanised	9 1828 25 28	10
chrome matt, lacquered	9 1828 25 78	10
Stainless steel matt, lacquered	9 1828 25 24	10
gold glossy, galvanised	9 1828 25 38	10
red glossy	9 1828 25 76	10
green glossy	9 1828 25 70	10
orange glossy	9 1828 25 74	10



Frame with hinged cover

- labelling field




- with 2 labelling field inlays, neutral and perforated for socket outlet with indicator LED
- for covering of socket outlets

Labelling field height arranged for P-touch strips 9 mm.

Design	Order no.	PU
anthracite matt	9 1988 25 05	10
grey glossy	9 1988 25 06	10
polar white glossy	9 1988 25 02	10
red glossy	9 1988 25 76	10
green glossy	9 1988 25 03	10
orange glossy	9 1988 25 04	10

IP44 applications

 Marked items are only suitable for splash-protected IP44 flush-mounted installation when used in conjunction with the corresponding sealing accessories and Berker Integro module insert.

 **Frame with imprint "IP44"**

 214



Not suitable for switches/push-buttons with split rocker.

- without sealing
- for water-proof covering of rocker switches/rocker push-buttons

Design	Order no.	Page
brown matt	9 1827 25 91	10
anthracite matt	9 1827 25 95	10
grey glossy	9 1827 25 97	10
polar white glossy	9 1827 25 99	10
chrome matt, lacquered	9 1827 25 68	10

Suitable for	Order no.	Page
Rocker switch		from p. 54
Rocker push-button		from p. 58
Sealing for IP44 applications	818 53	78

Design	Order no.	PU
--------	-----------	----

brown matt	9 1827 25 91	10
anthracite matt	9 1827 25 95	10
grey glossy	9 1827 25 97	10
polar white glossy	9 1827 25 99	10
chrome matt, lacquered	9 1827 25 68	10

 **Frame with hinged cover and imprint "IP44"**

 214



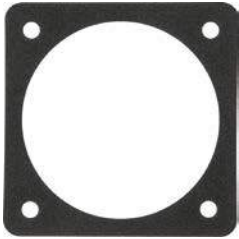
- without sealing
- for waterproof covering of socket outlets

Design	Order no.	Page
anthracite matt	8 1828 25 95	200
grey glossy	8 1828 25 97	200
polar white glossy	8 1828 25 99	200
brown matt	9 1828 25 91	10
anthracite matt	9 1828 25 95	10
grey glossy	9 1828 25 97	10
polar white glossy	9 1828 25 99	10
chrome matt, lacquered	9 1828 25 68	10
red glossy	9 1828 25 86	10
green glossy	9 1828 25 90	10
orange glossy	9 1828 25 94	10

Suitable for	Order no.	Page
SCHUKO socket outlets		from p. 22
SCHUKO socket outlets with "SNAP IN"		from p. 29
Socket outlets with earthing pin		from p. 41
Sealing for IP44 applications		from p. 78
Sealing IP44 for socket outlets with insulation-piercing terminals		from p. 79

Design	Order no.	PU
--------	-----------	----

anthracite matt	8 1828 25 95	200
grey glossy	8 1828 25 97	200
polar white glossy	8 1828 25 99	200
brown matt	9 1828 25 91	10
anthracite matt	9 1828 25 95	10
grey glossy	9 1828 25 97	10
polar white glossy	9 1828 25 99	10
chrome matt, lacquered	9 1828 25 68	10
red glossy	9 1828 25 86	10
green glossy	9 1828 25 90	10
orange glossy	9 1828 25 94	10



Sealing for IP44 applications

Material thickness 2.5 mm
Cut-out Ø 46.5 mm

New sealing material:
Cellular rubber, closed cell (EPDM-S), permanently elastic whilst also higher strength. For optimum sealing effect and improved material behaviour during installation.

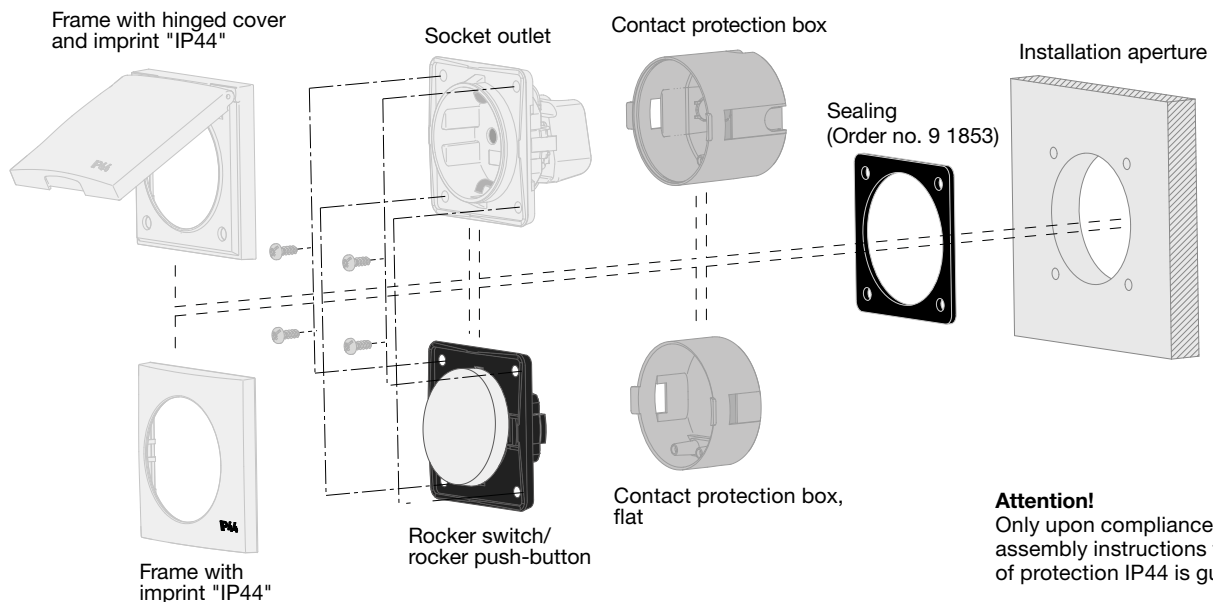
Caution!

Not suitable for socket outlets with insulation-piercing terminals.
Not suitable for switches/push-buttons with split rocker.

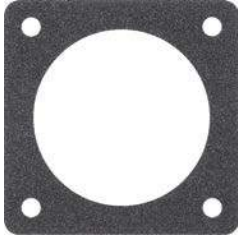
- for SCHUKO socket outlets and socket outlets with earthing pin (frame with hinged cover "IP 44" and contact protection box required!)
- for rocker switch/rocker push-button (frame IP 44 and contact protection box required!)

Suitable for	Order no.	Page
SCHUKO socket outlets with plug-in terminals		from p. 22
SCHUKO socket outlets with screw terminals		from p. 23
Socket outlets with earthing pin and screw terminals		from p. 41
Rocker switch		from p. 54
Rocker push-button		from p. 58
Frame with imprint "IP44"		from p. 77
Frame with hinged cover and imprint "IP44"		from p. 77
	Order no.	PU
	8 1853	200
	9 1853	10

Assembly instructions of IP44 covers



New



Sealing IP44 for socket outlets with insulation-piercing terminals

Material thickness 2.5 mm
Cut-out Ø 41 mm

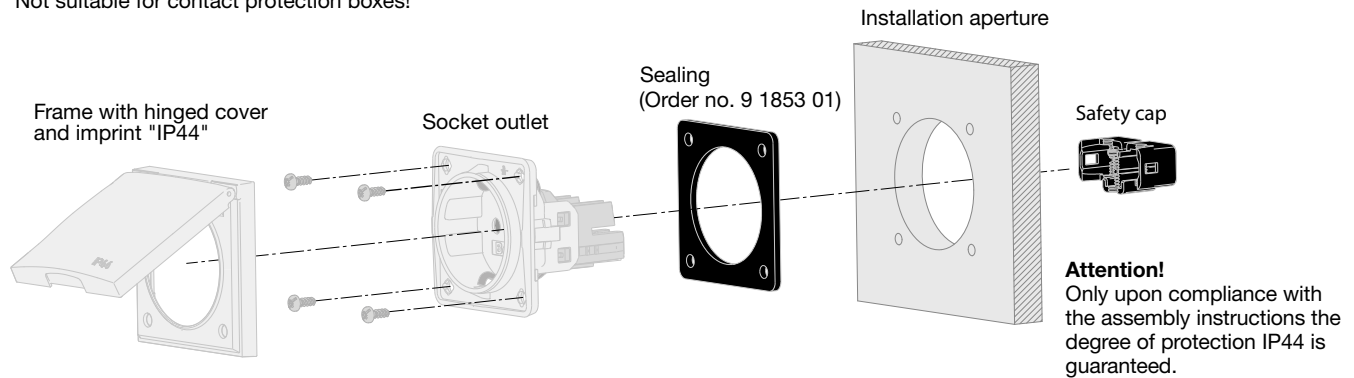
Sealing material:
Cellular rubber, closed cell (EPDM-S), permanently elastic whilst also higher strength. For optimum sealing effect and improved material behaviour during installation.

- for SCHUKO socket outlets with insulation-piercing terminals (frame with hinged cover "IP44" required!)
- for socket outlets with earthing pin and insulation-piercing terminals (frame with hinged cover "IP44" required!)

Design	Order no.	Page
black	★ 8 1853 01	from p. 24 from p. 42 from p. 77
black	★ 9 1853 01	200 10

Assembly instructions for IP44 socket outlets with insulation-piercing terminals

Not suitable for contact protection boxes!



Berker Integro
Design Flow

Surface-mounted housing



Surface-mounted housing high

Dimensions (W x H x D) 59.5 x 59.5 x 41 mm

- with cable entry
- for mounting on combustible base surface
- to built-on installation of devices

▶ 214

Design	Order no.	Page
without strain relief		
brown glossy	9 1151 25 01	66
anthracite glossy	9 1151 25 05	66
grey glossy	9 1151 25 07	66
polar white glossy	9 1151 25 09	66
black glossy	9 1151 25 10	66
with strain relief		
brown glossy	9 1151 25 11	66
anthracite glossy	9 1151 25 15	66
grey glossy	9 1151 25 17	66
polar white glossy	9 1151 25 19	66
black glossy	9 1151 25 20	66





Surface-mounted housing flat

▶ 214

Dimensions (W x H x D) 59.5 x 59.5 x 16 mm – for mounting on combustible base surface
– to built-on installation of switches and push-buttons

Design	Order no.	PU
without strain relief		
anthracite glossy	9 1152 25 25	10
polar white glossy	9 1152 25 29	10
with 1 strain relief		
polar white glossy	8 1152 25 59	200
anthracite glossy	9 1152 25 55	10
polar white glossy	9 1152 25 59	10
with 2 strain reliefs		
polar white glossy	8 1152 25 69	200
anthracite glossy	9 1152 25 65	10
polar white glossy	9 1152 25 69	10



Surface-mounted spacer ring

▶ 214

Dimensions (W x H x D) 59.5 x 59.5 x 10 mm – for the reduction of the installation depth of the devices and surf.-mount. of switches and push-b.

Design	Order no.	PU
brown glossy	9 1825 25 11	10
anthracite glossy	9 1825 25 15	10
grey glossy	9 1825 25 06	10
polar white glossy	9 1825 25 12	10
black glossy	9 1825 25 10	10
chrome matt, lacquered	9 1825 25 68	10
Stainless steel matt, lacquered	9 1825 25 24	10