

Berker Twin-Box

Corners present a special challenge with each electrical installation. Normal switches and sockets cannot just be mounted here – the Berker Twin-Box designed as a 2-gang combination means that corner solutions are no longer a problem. The Twin-Box allows quick installations in any corner. And the entire range of functional Berker Integro module inserts is available for equipping the Berker Twin-Box.



06

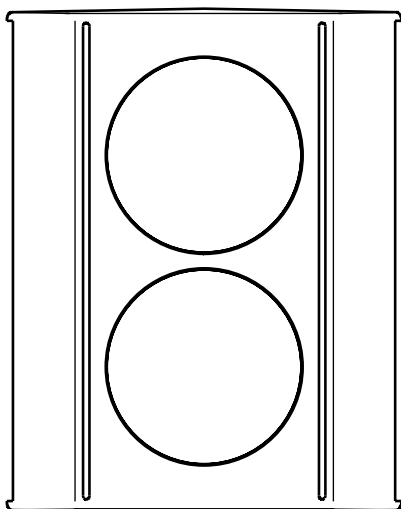
Page

Combinations socket outlets	121
Combinations USB charging socket/socket outlet	123
Combinations switch/socket outlet	123
Accessories	127

Product examples

Berker

Twin-Box



Dimensions

For dimensions and further technical data please refer to Page 212





Combinations/empty housing/ adapter rings

Plastic, glossy

Polar white similar to RAL 9010
Grey similar to RAL 7038
Black similar to RAL 9005

Plastic, lacquered

Anthracite similar to RAL 7021
Chrome matt similar to RAL 9006

Plastic, galvanised

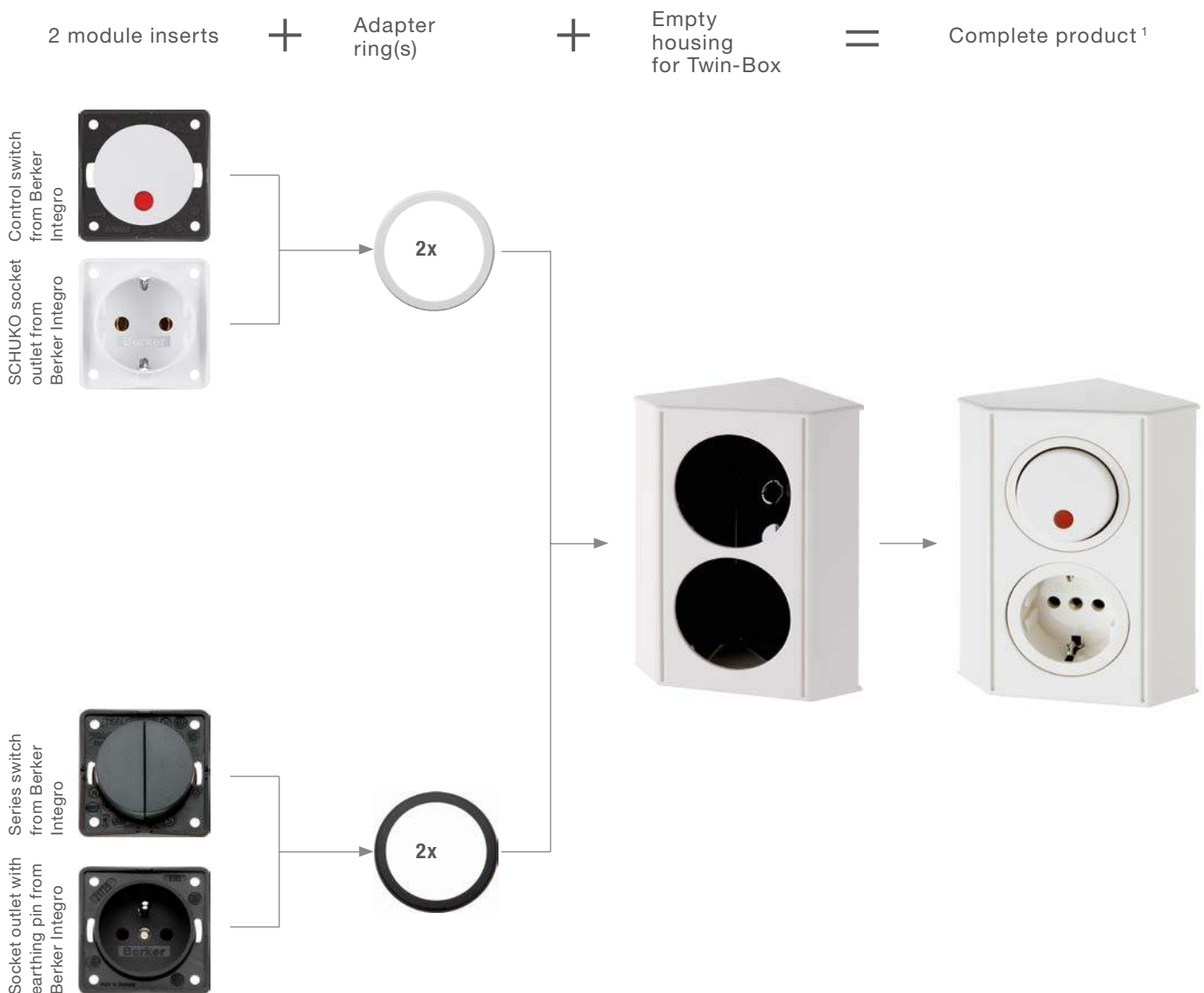
Chrome matt similar to RAL 9006

Berker Twin-Box

Individual appliance combination

Berker Twin-Box can be individually combined. The large selection of matching Berker Integro module inserts offers a wealth of combination options. Simply install two module inserts, each with an adapter ring, in the

desired colour (order no. 9 1969..) in an empty housing for Twin-Box (order no. 1948 9..). The scope of delivery of the housing contains flat-headed screws, size M3 for rear-side insert fastening and a strain relief.



Additional basic variants module inserts:
 – international socket outlets
 – Rocker push-buttons

i Only combine either mains voltage or low voltage appliances in a Twin-Box!

¹Complete product only shown as an example

Electrical resources in rooms with bathtubs or showers

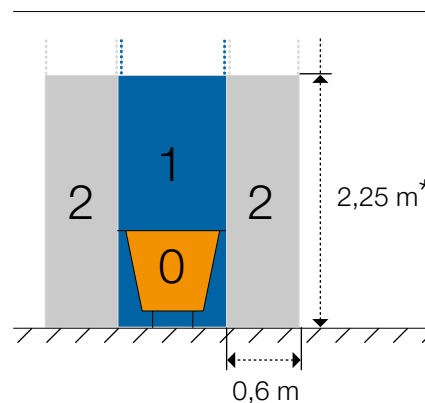
Spaces in apartments or hotel rooms with a bathtub or shower require special safety measures during the installation and use of electrical resources (e.g. switches, socket outlets). Although not designated as wet

rooms, areas near bathtubs and showers represent a greater potential for danger.

To prevent the risk of an electric shock, three areas with different protection requirements are specified:

Areas with bathtubs

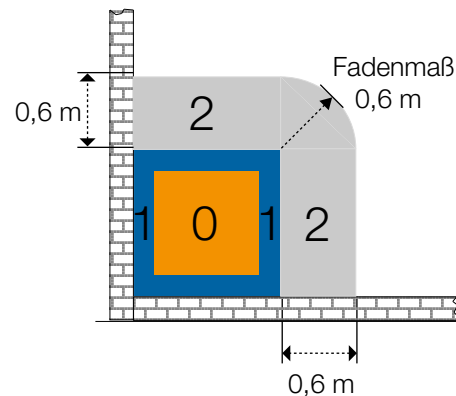
- Area 0
- Area 1
- Area 2



* Areas 1 and 2 expanded upwards to the highest water outlet, if position above 2.25 m

Areas with showers

- Area 0
- Area 1
- Area 2



No 230 V sockets may be installed in any of the three areas.

Outside the areas, the installation of 230 V-resources (e.g. mounted in a Berker Twin-Box) is permitted, providing that the corresponding circuit is secured via RCD (error current safety device with a rated different current $I_{\Delta N} \leq 30$ mA). No additional water protection

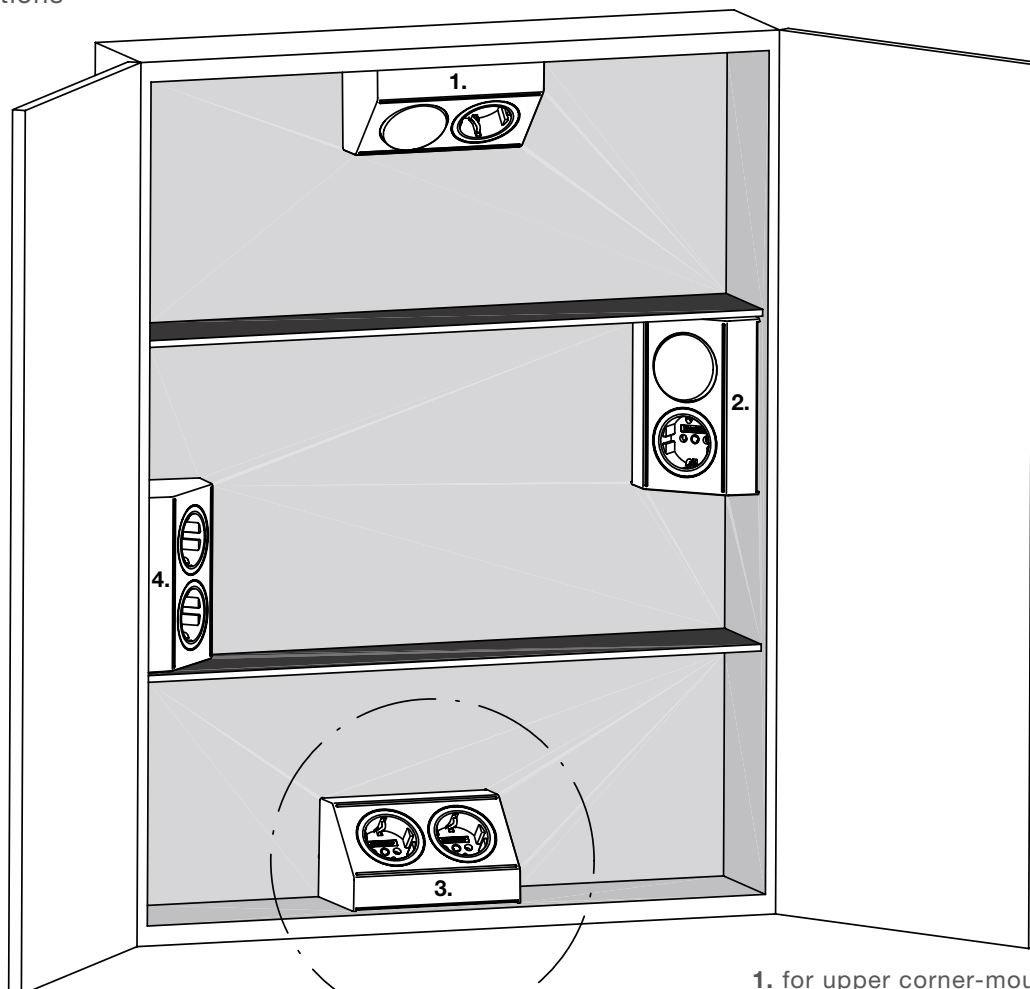
is required as with, for example, devices with degree of protection IP44. In order to prevent the ingress of water into socket outlets and switches, we recommend using IP44 products outside the three areas.

i The exact limits of the areas differ according to the country of use. Therefore, please refer to the current country-specific standards for the appli-

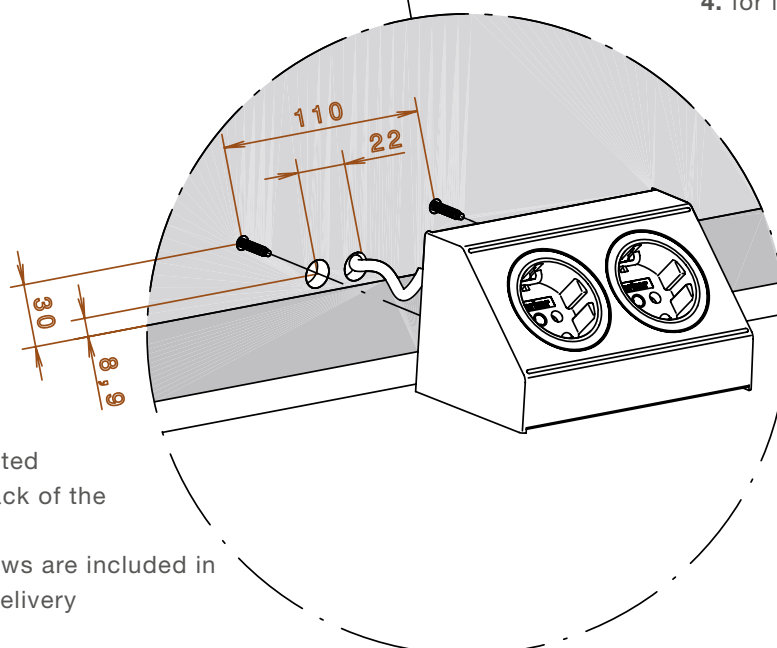
cable regulations. The construction regulations here apply to Germany VDE 0100-701.

Berker Twin-Box

Mounting orientations



1. for upper corner-mounting
2. for right corner-mounting
3. for lower corner-mounting
4. for left corner-mounting



- Cables are routed through the back of the furniture
- Fastening screws are included in the scope of delivery

Combinations socket outlets



Twin-Box with SCHUKO socket outlets

- screw terminals



Rated voltage 250 V~
 Rated current 16 A
 Lead 3 x 1.5 mm²
 Line length ≈ 1.5 m

Connection terminals according to IEC 60884-1

- housings in polar white glossy
- socket outlets in polar white glossy
- with fixing screws
- pre-assembled, with 3-core cable
- welded wires
- for vertical corner-mounting
- for screw cover on backside

▶ 215



Design	Order no.	PU
for left corner-mounting	1948 02	1



Twin-Box with SCHUKO socket outlets

- screw terminals



Rated voltage 250 V~
 Rated current 16 A
 Lead 3 x 1.5 mm²
 Line length ≈ 1.5 m

Connection terminals according to IEC 60884-1

- housing in chrome matt, lacquered
- sockets in black glossy
- with fixing screws
- pre-assembled, with 3-core cable
- welded wires
- for vertical corner-mounting
- for screw cover on backside

▶ 215



Design	Order no.	PU
for right corner-mounting	1948 18	1



Twin-Box with SCHUKO socket outlets

- screw terminals



Rated voltage 250 V~
 Rated current 16 A
 Lead 3 x 1.5 mm²
 Line length ≈ 1.5 m

Connection terminals according to IEC 60884-1

- housing in chrome matt, lacquered
- sockets in black glossy
- with fixing screws
- pre-assembled, with 3-core cable
- welded wires
- for horizontal corner-mounting
- for screw cover on backside

▶ 215



Design	Order no.	PU
for lower corner-mounting	1948 30	1



Twin-Box with SCHUKO socket outlets

- screw terminals



Rated voltage 250 V~
 Rated current 16 A
 Lead 3 x 1.5 mm²
 Line length ≈ 1 m

Connection terminals according to IEC 60884-1

- housing in chrome matt, lacquered
- sockets in black glossy
- with Wieland plug GST18i3
- with fixing screws
- pre-assembled, with 3-core cable
- welded wires
- for horizontal corner-mounting
- for screw cover on backside

▶ 215



Design	Order no.	PU
for lower corner-mounting	1948 21	1



Twin-Box with socket outlets with earthing pin

- enhanced contact protection
- screw terminals



Rated voltage 250 V~
 Rated current 16 A
 Lead 3 x 2.5 mm²
 Line length ≈ 1.5 m

Connection terminals according to IEC 60884-1
 Enhanced contact protection (child protection) according to IEC 60884-1

- housing in chrome matt, lacquered
- sockets in black glossy
- with fixing screws
- pre-assembled, with 3-core cable
- welded wires
- for vertical corner-mounting
- for screw cover on backside

▶ 215



Design	Order no.	PU
for left corner-mounting	1948 25	24



Twin-Box with socket outlets with earthing pin

- enhanced contact protection
- screw terminals



Rated voltage 250 V~
 Rated current 16 A
 Lead 3 x 2.5 mm²
 Line length ≈ 1.5 m

Connection terminals according to IEC 60884-1
 Enhanced contact protection (child protection) according to IEC 60884-1

- housing in chrome matt, lacquered
- sockets in black glossy
- with fixing screws
- pre-assembled, with 3-core cable
- welded wires
- for vertical corner-mounting
- for screw cover on backside

▶ 215



Design	Order no.	PU
for right corner-mounting	1948 19	24



Twin-Box with socket outlets with earthing pin

- enhanced contact protection
- screw terminals



Rated voltage 250 V~
 Rated current 16 A
 Lead 3 x 1.5 mm²
 Line length ≈ 1 m

Connection terminals according to IEC 60884-1
 Enhanced contact protection (child protection) according to IEC 60884-1

- housing in chrome matt, lacquered
- sockets in black glossy
- with Wieland plug GST18i3
- with fixing screws
- pre-assembled, with 3-core cable
- for horizontal corner-mounting
- for screw cover on backside

▶ 215



Design	Order no.	PU
for lower corner-mounting	1948 23	1

Combination USB charging socket/socket outlet



Twin-Box with USB socket outlet/SCHUKO socket outlet

▶ 215

- screw terminals



Output voltage	5 V= (± 5 %)
Output current per socket	max. 3 A
Output current when operating both sockets	max. 3 A
Lead	3 x 1.5 mm ²
Line length	≈ 1.5 m
Rated voltage socket outlet	230 V~
Rated current socket outlet	16 A

- housing in chrome matt, lacquered
- socket outlets and adapter rings in anthracite, matt
- for charging mobile end devices via USB cable
- with 2 USB sockets type A
- pre-assembled, with 3-core cable
- welded wires
- for vertical corner-mounting
- for screw cover on backside
- with fixing screws

USB connections according to IEC 62680-3

Design	Order no.	PU
for right corner-mounting	1948 29	1



Twin-Box with USB socket outlet/socket outlet with earthing pin

▶ 215

- enhanced contact protection
- screw terminals



Output voltage	5 V= (± 5 %)
Output current per socket	max. 3 A
Output current when operating both sockets	max. 3 A
Lead	3 x 2.5 mm ²
Line length	≈ 1.5 m
Rated voltage socket outlet	250 V~
Rated current socket outlet	16 A

- housing in chrome matt, lacquered
- socket outlets and adapter rings in anthracite, matt
- for charging mobile end devices via USB cable
- with 2 USB sockets type A
- pre-assembled, with 3-core cable
- welded wires
- for vertical corner-mounting
- for screw cover on backside
- with fixing screws

USB connections according to IEC 62680-3

Design	Order no.	PU
for right corner-mounting	1948 28	1

Combinations switch/socket outlet



Twin-Box with on/off switch/socket outlet SCHUKO

▶ 215

- screw terminals



Rated voltage	250 V~
Rated current	16 A
Switching current	16 AX
Lead	3 x 1.5 mm ²
Light fitting cable	2 x 0.75 mm ²
Line length	≈ 1.5 m

- housings in polar white glossy
- socket outlets and switches in polar white glossy
- with fixing screws
- pre-assembled, with 3-core lead and 2-core light fitting wire
- welded wires
- for vertical corner-mounting
- for screw cover on backside

Connection terminals according to IEC 60884-1

Design	Order no.	PU
for right corner-mounting	1948 08	1



Twin-Box with on/off switch/socket outlet SCHUKO

▶ 215

- screw terminals



Rated voltage	250 V~
Rated current	16 A
Switching current	16 AX
Lead	3 x 1.5 mm ²
Light fitting cable	2 x 0.75 mm ²
Line length	≈ 1.5 m

- housing in chrome matt, lacquered
- switches in chrome matt, lacquered
- socket outlet in black, glossy
- with fixing screws
- pre-assembled, with 3-core lead and 2-core light fitting wire
- welded wires
- for vertical corner-mounting
- for screw cover on backside

Connection terminals according to IEC 60884-1

Design	Order no.	PU
for right corner-mounting	1948 13	1



Twin-Box with on/off switch/socket outlet SCHUKO

▶ 215

- screw terminals



Rated voltage	250 V~
Rated current	16 A
Switching current	16 AX
Lead	3 x 1.5 mm ²
Light fitting cable	3 x 0.75 mm ²
Line length	≈ 1.5 m

- housing in chrome matt, lacquered
- switches in chrome matt, lacquered
- socket outlet in black, glossy
- with fixing screws
- confectioned, with 3-core lead and 3-core light fitting wire
- welded wires
- for vertical corner-mounting
- for screw cover on backside

Connection terminals according to IEC 60884-1

Design	Order no.	PU
for right corner-mounting	1948 17	1



Twin-Box with on/off switch/socket outlet SCHUKO

▶ 215

- screw terminals



Rated voltage	250 V~
Rated current	16 A
Switching current	16 AX
Lead	3 x 1.5 mm ²
Light fitting cable	3 x 1.5 mm ²
Line length	≈ 1.5 m

- housing in chrome matt, lacquered
- switches in chrome matt, lacquered
- socket outlet in black, glossy
- with fixing screws
- confectioned, with 3-core lead and 3-core light fitting wire
- welded wires
- for vertical corner-mounting
- for screw cover on backside

Connection terminals according to IEC 60884-1

Design	Order no.	PU
for right corner-mounting	1948 27	24



Twin-Box with on/off switch/socket outlet SCHUKO

▶ 215

- screw terminals



Rated voltage	250 V~
Rated current	16 A
Switching current	16 AX
Length lead	≈ 1 m
Lead	4 x 1.5 mm ²
Length light fitting cable	≈ 1.5 m
Light fitting cable	2 x 0.75 mm ²

- housings in grey glossy
- socket outlets and switches in black glossy
- with fixing screws
- pre-assembled, with 4-core lead (compacted cable ends) and 2-core cable with mini coupling for lamp
- for horizontal corner-mounting
- for screw cover on backside

Connection terminals according to IEC 60884-1

Design	Order no.	PU
for upper corner-mounting	1948 12	1



Twin-Box with switchable socket outlet SCHUKO

▶ 215

- screw terminals



Rated voltage	250 V~
Rated current	16 A
Switching current	16 AX
Lead	3 x 1.5 mm ²
Line length	≈ 1 m

- housing in chrome matt, lacquered
- socket outlets and switches in black glossy
- with rocker switch 2-pole for switching on/off the socket outlet
- with Wieland plug GST18i3
- with fixing screws
- pre-assembled, with 3-core cable
- for horizontal corner-mounting
- for screw cover on backside

Connection terminals according to IEC 60884-1

Design	Order no.	PU
for lower corner-mounting	1948 22	1



Twin-Box with series switch/SCHUKO socket outlet

▶ 215

- screw terminals



Rated voltage	250 V~
Rated current	16 A
Switching current	16 AX
Lead	3 x 1.5 mm ²
Light fitting cable	2 x 1.5 mm ²
Line length	≈ 1.5 m

- housings in polar white glossy
- socket outlets and switches in polar white glossy
- with fixing screws
- pre-assembled, with 3-core lead and 2-core light fitting wire
- welded wires
- for vertical corner-mounting
- for screw cover on backside

Connection terminals according to IEC 60884-1

Design	Order no.	PU
for right corner-mounting	1948 14	1



Twin-Box with on/off switch/socket outlet with earthing pin

▶ 215

- enhanced contact protection
- screw terminals



Rated voltage	250 V~
Rated current	16 A
Switching current	16 AX
Lead	3 x 1.5 mm ²
Light fitting cable	2 x 0.75 mm ²
Line length	≈ 1.5 m

- housing in chrome matt, lacquered
- switches in chrome matt, lacquered
- socket outlet in black, glossy
- with fixing screws
- pre-assembled, with 3-core lead and 2-core light fitting wire
- welded wires
- for vertical corner-mounting
- for screw cover on backside

Connection terminals according to IEC 60884-1

Enhanced contact protection (child protection) according to IEC 60884-1

Design	Order no.	PU
for right corner-mounting	1948 20	1



Twin-Box with on/off switch/socket outlet with earthing pin

▶ 215

- enhanced contact protection
- screw terminals



Rated voltage	250 V~
Rated current	16 A
Switching current	16 AX
Lead	3 x 2.5 mm ²
Light fitting cable	3 x 1.5 mm ²
Line length	≈ 1.5 m

- housing in chrome matt, lacquered
- switches in chrome matt, lacquered
- socket outlet in black, glossy
- with fixing screws
- confectioned, with 3-core lead and 3-core light fitting wire
- welded wires
- for vertical corner-mounting
- for screw cover on backside

Connection terminals according to IEC 60884-1
Enhanced contact protection (child protection) according to IEC 60884-1

Design	Order no.	PU
for right corner-mounting	1948 26	1



Twin-Box with on/off switch/socket outlet with earthing pin

▶ 215

- enhanced contact protection
- screw terminals



Rated voltage	250 V~
Rated current	16 A
Switching current	16 AX
Lead	3 x 2.5 mm ²
Light fitting cable	3 x 2.5 mm ²
Line length	≈ 1.5 m

- housing in chrome matt, lacquered
- switches in chrome matt, lacquered
- socket outlet in black, glossy
- with fixing screws
- confectioned, with 3-core lead and 3-core light fitting wire
- welded wires
- for vertical corner-mounting
- for screw cover on backside

Connection terminals according to IEC 60884-1
Enhanced contact protection (child protection) according to IEC 60884-1

Design	Order no.	PU
for right corner-mounting	1948 16	1



Twin-Box with switchable socket outlet with earthing pin

▶ 215

- enhanced contact protection
- screw terminals



Rated voltage	250 V~
Rated current	16 A
Switching current	16 AX
Lead	3 x 1.5 mm ²
Line length	≈ 1 m

- housing in chrome matt, lacquered
- socket outlets and switches in black glossy
- with rocker switch 2-pole for switching on/off the socket outlet
- with Wieland plug GST18i3
- with fixing screws
- pre-assembled, with 3-core cable
- for horizontal corner-mounting
- for screw cover on backside

Connection terminals according to IEC 60884-1
Enhanced contact protection (child protection) according to IEC 60884-1

Design	Order no.	PU
for lower corner-mounting	1948 24	1

Accessories



Empty housing for Twin/Twin-Box

▶ 215

Appliance opening Ø

51.5 mm

- for vertical and horizontal mounting
- floor and rear wall in black
- with strain relief
- with fixing and mounting screws
- with 2 contact protection boxes for insulation protection

Caution!

Only combine either mains voltage or low voltage appliances in a Twin-Box.

Design	Order no.	PU
anthracite matt, lacquered	1948 93	1
grey glossy	1948 98	1
polar white glossy	1948 99	1
chrome matt, lacquered	1948 94	1
chrome matt, galvanised	1948 96	1



Adapter ring for Twin/Twin-Box

For use with all devices from the Berker Integro range with the exception of:

- rotary dimmers and rotary potentiometers
- USB 230 V charging sockets
- socket outlets with British Standard earthing contact
- socket outlets with insulation-piercing terminals
- socket outlets with control LED

Design	Order no.	PU
anthracite matt, lacquered	9 1969 06	10
grey glossy	9 1969 07	10
polar white glossy	9 1969 09	10
black glossy	9 1969 05	10
chrome glossy	9 1969 18	10